

The special solution

NA 250 type II and type III wet separators are suitable for separating dry and damp as well as hot, glowing and explosive coarse media from water, oil or other liquids.

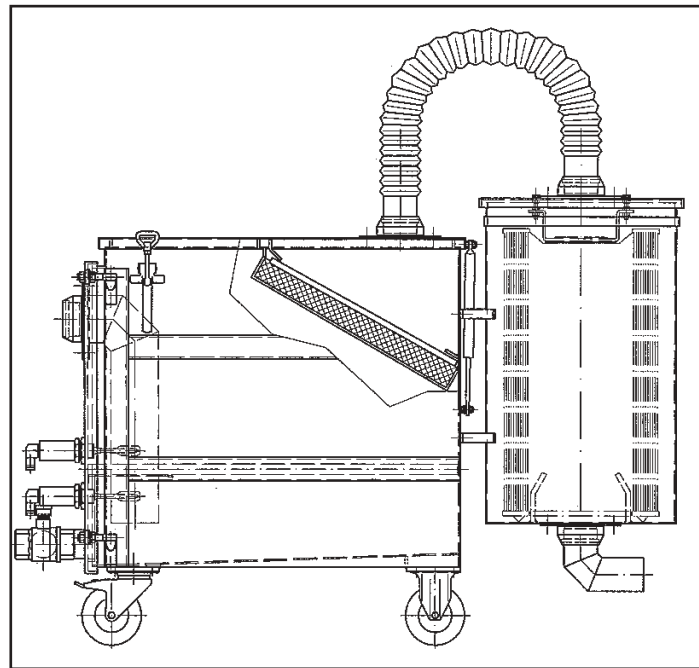
NA 250 type III wet separators are suitable for separating wet media as well as hot, glowing and explosive dust-type media from water, oil other liquids.



NA 250 type III without residual dust filter in stainless steel



NA 250 type III with residual dust filter in normal steel



- Housing: Normal steel or stainless steel
- Wheel diameter: 125 or 200mm
- Water contents: 75 liters
- Length: 975mm without residual dust filter
Length: 1,410mm with residual dust filter
- Height: 990 - 1,095mm without residual dust filter
Height: 990 - 1,300mm with residual dust filter
- Width: 580mm
- Only type III features a turbulence screen
- Type "AM" (for separating aluminum or magnesium) is only available as type III.
- All wet separators are available with an electronic filling level monitoring system.

CAUTION ! Separating **aluminum and magnesium** is permitted if the "BGR 204" or "BGR 109" standards are observed.

We offer expert advice and practical solutions on the spot!

Wet separators

NA 250

NA 35



Safe separation of hazardous media

Wet separator is the term for technical equipment (machines and devices) used to separate dust from crude gases. They channel the dust particles out of the crude gas into a liquid and render them harmless there. Our wet separators - both the high-quality stainless steel (V2A/V4A) and the GRP versions - are suitable for dealing with materials whose dusts are adhesive, explosive or prone to generating sparks, but also for working with rubber, ceramics, plastic or metal. Any static electricity that occurs is safely dissipated through the fully electrically conductive housing and casters. Then the particles settle to form a sludge which is collected and, depending on its type, can be drained off. For smaller quantities of substances to be picked up, we recommend our NA 35 type D1 or type WSP made of GRP, while larger quantities require the NA 250 in stainless or normal steel.



NA 35 Typ WSP with drive modul



NA 35 type DS 1 - external drive



NA 35 type WSP - external drive

	NA35-D1	NA35-WSP
Housing	GRP	GRP
Liquid content (ltr)	35-65	35-65
Connector (mm)	50	50
Length (mm)	850	830
Width (mm)	520	520
Height (mm) *)	1.025	1.012
Height (mm) *)	1.275	1.262
Height (mm) *)	1.230	1.220
Height (mm)	1.480	1.470
Drive power	up to 7.5kW at 460m³/h	

Avantages of the NA 35

- GRP housing
- Easy to convert to other vacuum cleaner types:
Modular system
- Easy to clean
- Reliable dust separation
- Safety tested and approved
 - for explosive dusts
 - for picking up aluminum dusts according to ZH 1/32 and "Precious and base metals professional association" instruction sheet 12.98
- Safe extinguishing of ignition sources picked up
- Cooling of hot gases
- Neutralization of explosive dusts

*) with external drive

